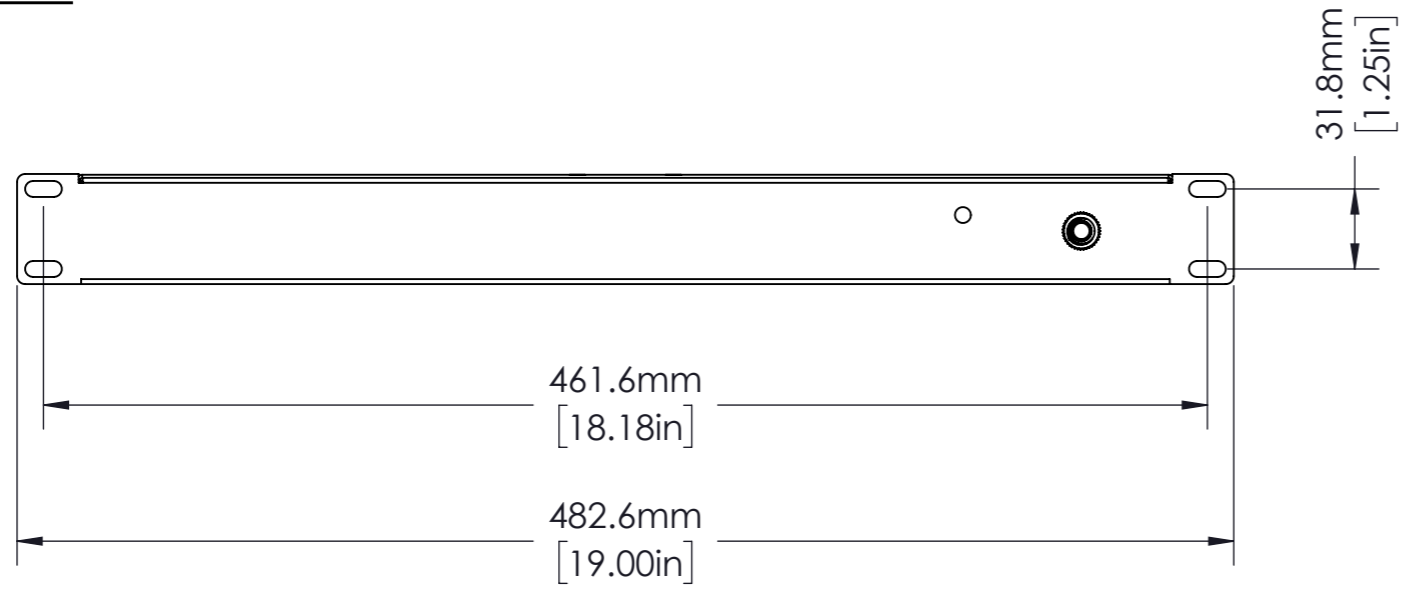


Disclosure and photocopying of this document, exploitation and communication of its contents are not permitted, unless permission is expressly granted. All rights are reserved.

Weitergabe sowie Vervielfältigung dieser Unterlage, Verwertung und Mitteilung ihres Inhalts nicht gestattet, soweit nicht ausdrücklich zugestanden. Alle Rechte vorbehalten.

FRONT VIEW



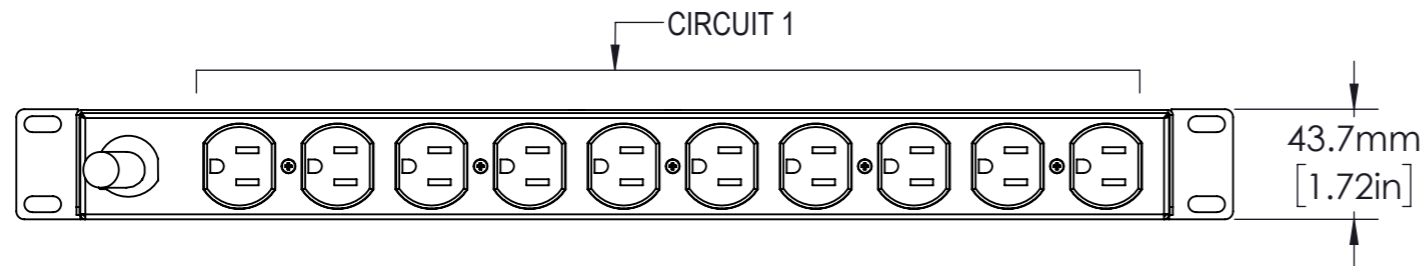
OUTPUT POWER

CIRCUIT	PHASE	RECEPTACLE TYPE (QUANTITY)	VOLTAGE (V)	MAX. CONTINUOUS AMPS (A)	
				PER RECEPTACLE	PER CIRCUIT
1	L1	10xNEMA 5-15R	100-120	12	12

INPUT POWER

INPUT CORD	INPUT PLUG	WIRE COUNT	FREQUENCY (Hz)	VOLTAGE (V)	RATED AMPS (A)	MAX. CONT. AMPS (A)
10 FT	NEMA 5-15P	1/N/PE	50/60 Hz	100-120	15	12

REAR VIEW

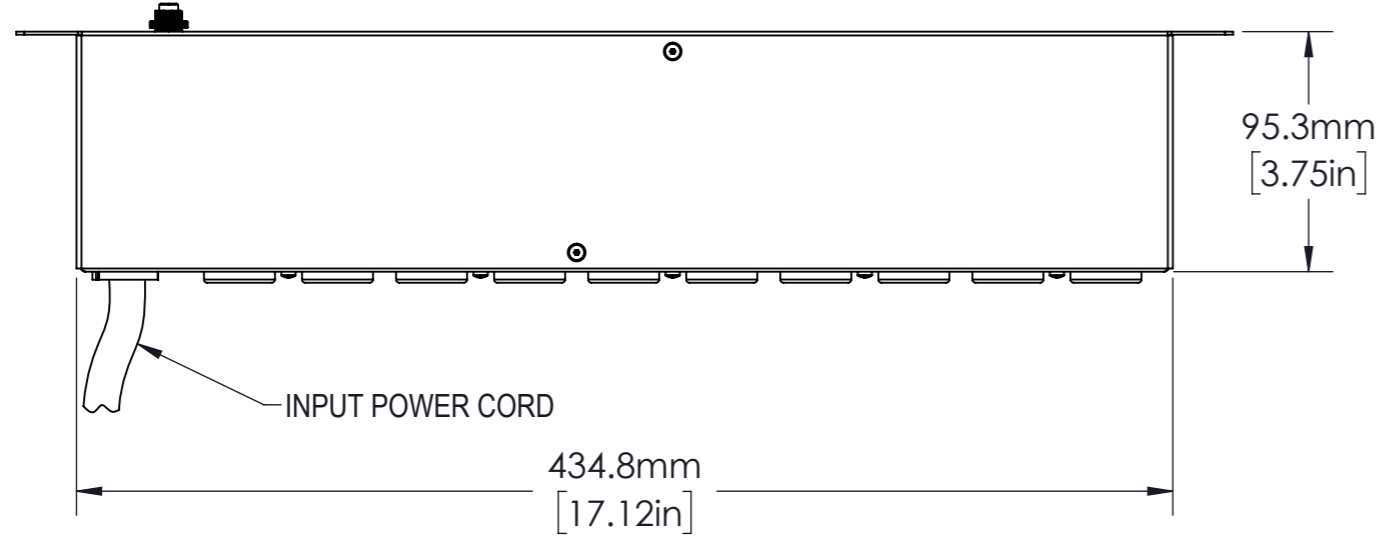


AGENCY COMPLIANCE:
 UL & c-UL Listed 60950
 RoHS Compliant

ENVIRONMENTAL RATING:
 Continuous Operating Temperature Range: 10-45C / 50-113F

NOTES
 UNIT DIMENSIONS: 1.72in x 17in x 3.75in / 44mm x 432mm x 95mm
 SHIPPED WEIGHT: 6lbs (2.72kg)
 SHIPPING DIMENSIONS: 23in x 14in x 3in / 566mm x 337mm x 58mm
 Flush Mount Brackets

UPPER VIEW



		Allgemeintoleranzen General tolerances		Oberfläche Finish		Werkstoff / Material		Gewicht: Weight: -	
		-		-		-		-	
Rev.		Change		Date		Name		Bezeichnung / Description	
				14/06/18		SW		Basic, Horizontal, 15A, 120V, (10)5-15R	
				-		-			
				-		-			
								Zeichnungs-Nr. / Drawing no.	
								VP9562	
								Verwendet in / Used in	
								-	
								Blatt/Sheet	
								1/1	

